

## VORT-MEX 100/4" LL 1S (11313)

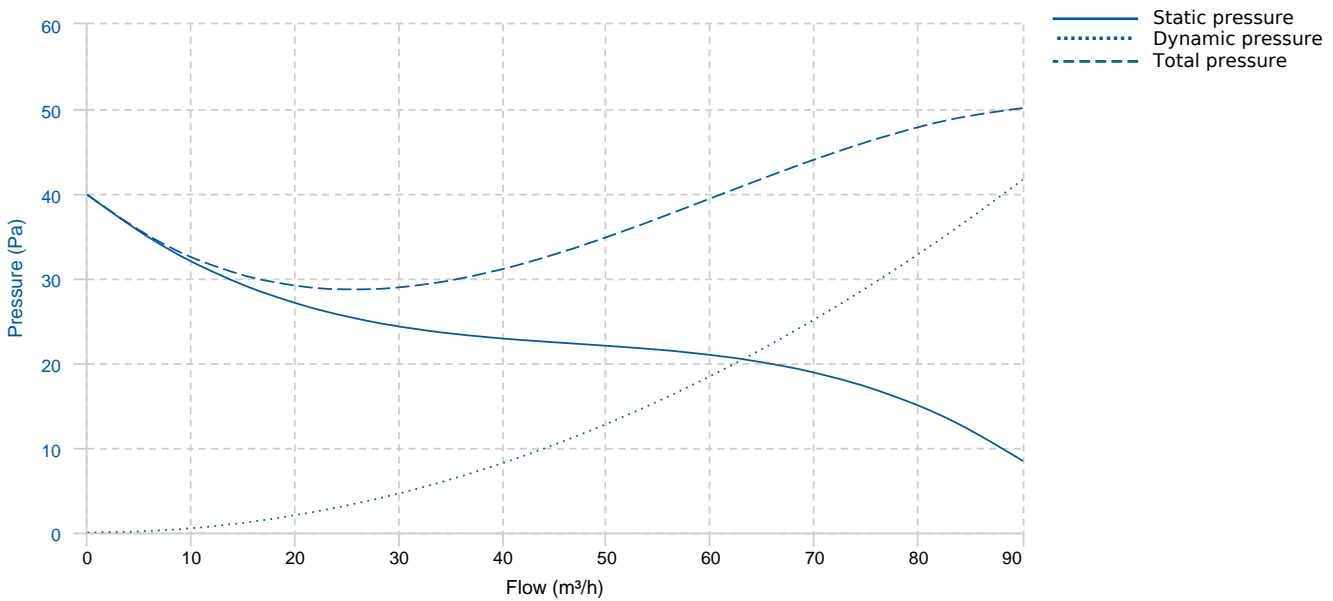
### GENERAL DATA



Centrifugal wall vacuum cleaner

- Plastic resin construction resistant to impact and aging due to sun exposure ("UV resistant").
- Nominal diameter 100 mm
- AC motor with shaft mounted on ball bearing support, directly combined with a helical-centrifugal plastic impeller.
- Maximum flow rate 90 m<sup>3</sup>/h
- Equipped with butterfly non-return valve as standard to avoid unwanted air re-entry when turned off.
- Degree of protection IP45, which guarantees the possibility of installation in Zone 1 of the bathroom according to the international standard IEC 60364-7.
- Safety certified IMQ.

### PERFORMANCE CURVE

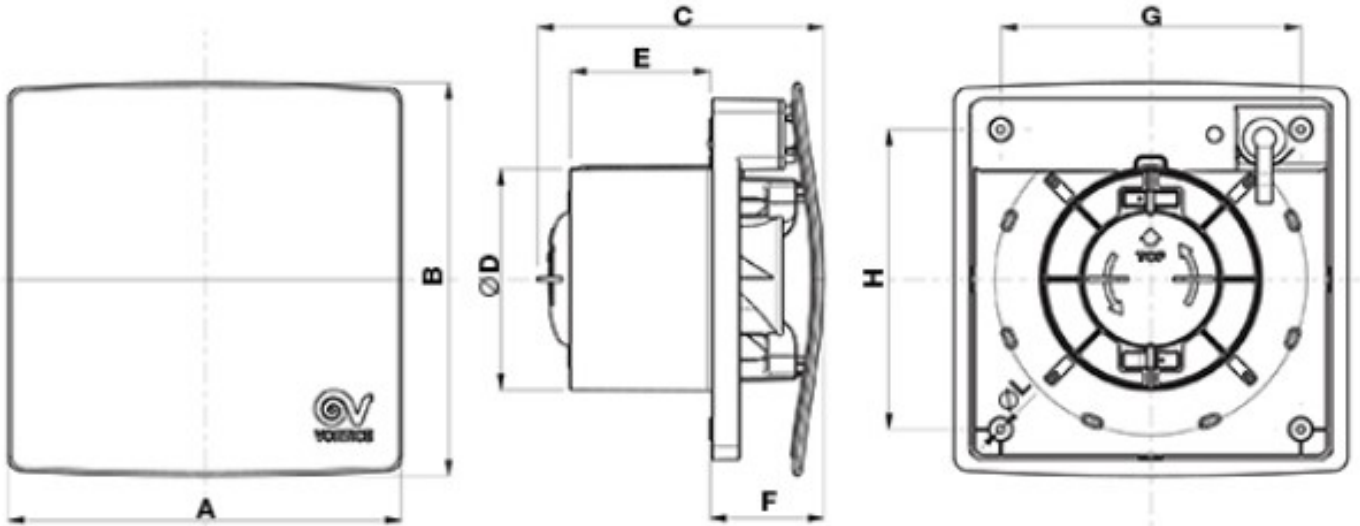


### TECHNICAL DATA

#### Fan

Approx. weight	0.6 kg	Max. Flow	90 m <sup>3</sup> /h
----------------	--------	-----------	----------------------

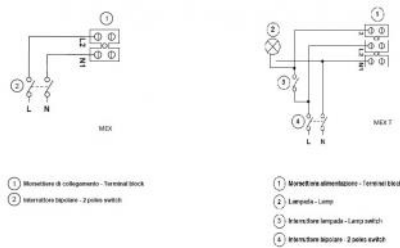
## DIMENSIONS



### Dimensions (mm)

A	173	B	173	C	126	DØ	98	E	61.5
F	50	G	132	H	132	LØ	3.5		

## WIRING DIAGRAM



## ACCESSORIES