

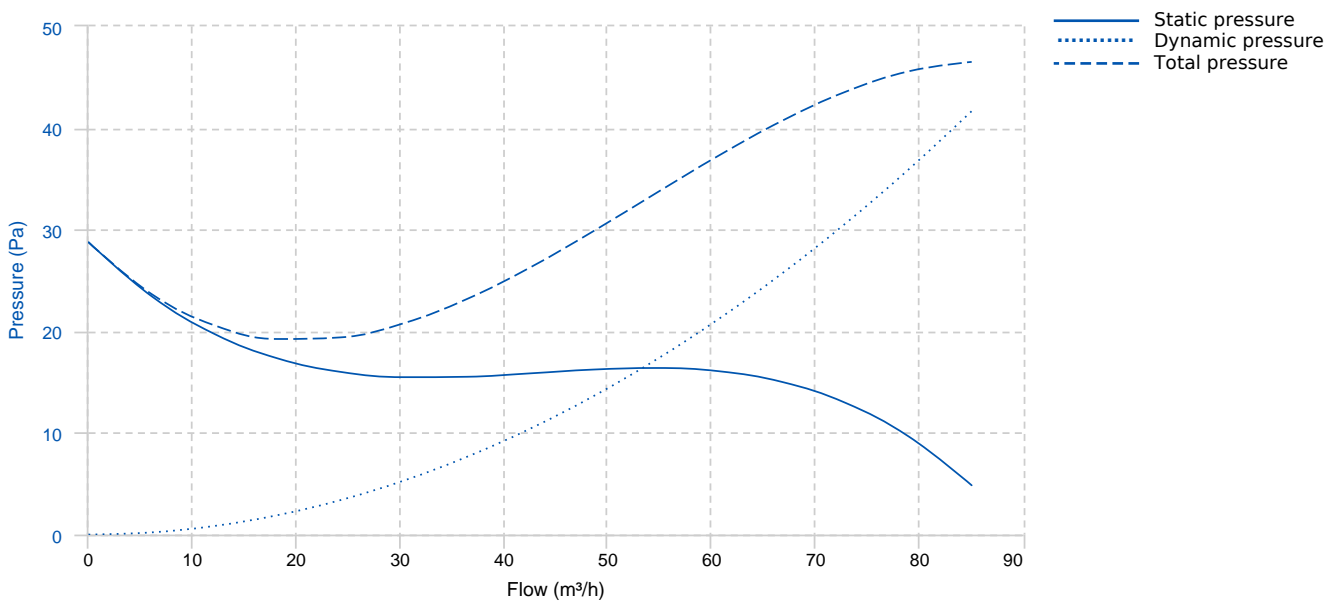
VORT-MF 100/4" T (11127)

GENERAL DATA



- Aging-resistant plastic resin construction due to sun exposure ("UV resistant").
- Nominal diameter 90 mm.
- Motor thermally protected, with shaft mounted on supports with self-lubricating bronzines, combined with a helical impeller in thermoplastic material with wing blades.
- Maximum flow rate 65 m³/h.
- Non-return valve applied to the outlet.
- IMQ and IMQ PERFORMANCE certified safety and performance.
- Controllable in speed by Vortice regulator.

PERFORMANCE CURVE



TECHNICAL DATA

Fan

RPM

-

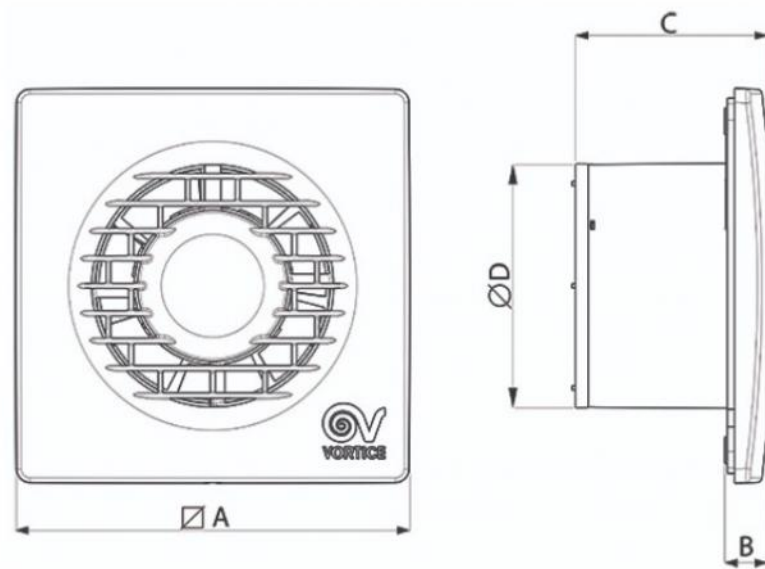
Approx. weight

0.51 kg

Max. Flow

85 m³/h

DIMENSIONS



Dimensions (mm)

A	159	B	17	C	77	D	98
---	-----	---	----	---	----	---	----

ACCESSORIES