

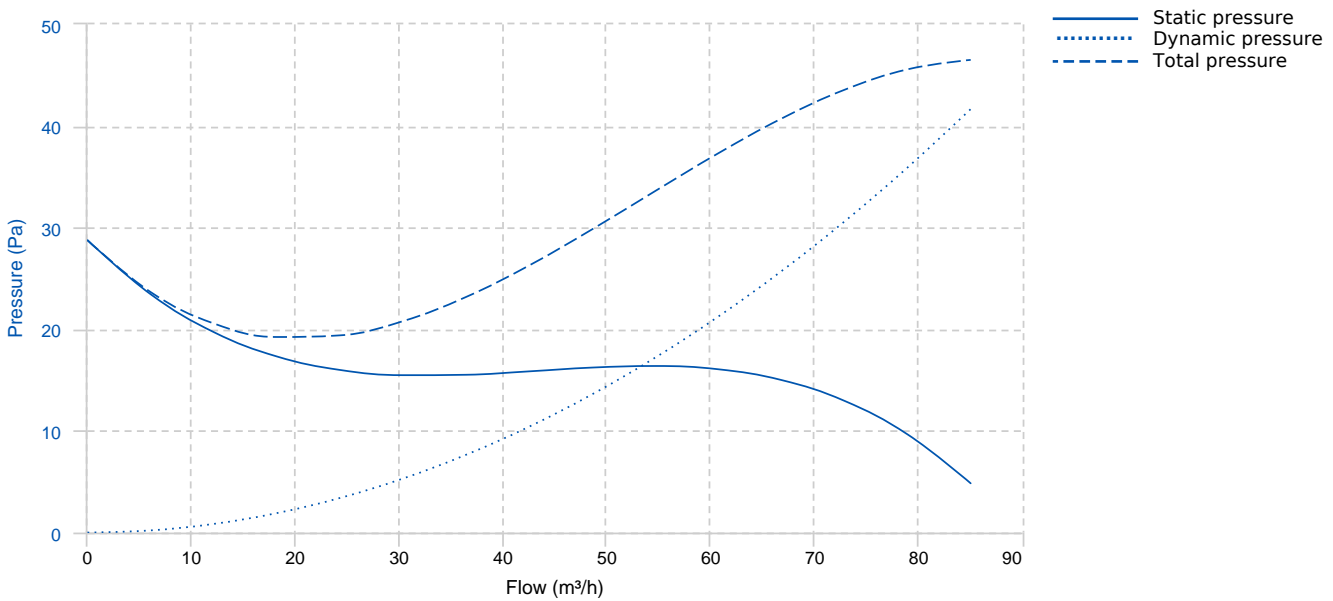
## VORT-MF 100/4" (11123)

### GENERAL DATA



- Aging-resistant plastic resin construction due to sun exposure ("UV resistant").
- Nominal diameter 90 mm.
- Motor thermally protected, with shaft mounted on supports with self-lubricating bronzines, combined with a helical impeller in thermoplastic material with wing blades.
- Maximum flow rate 65 m<sup>3</sup>/h.
- Non-return valve applied to the outlet.
- IMQ and IMQ PERFORMANCE certified safety and performance.
- Controllable in speed by Vortice regulator.

### PERFORMANCE CURVE



### TECHNICAL DATA

#### Fan

RPM

-

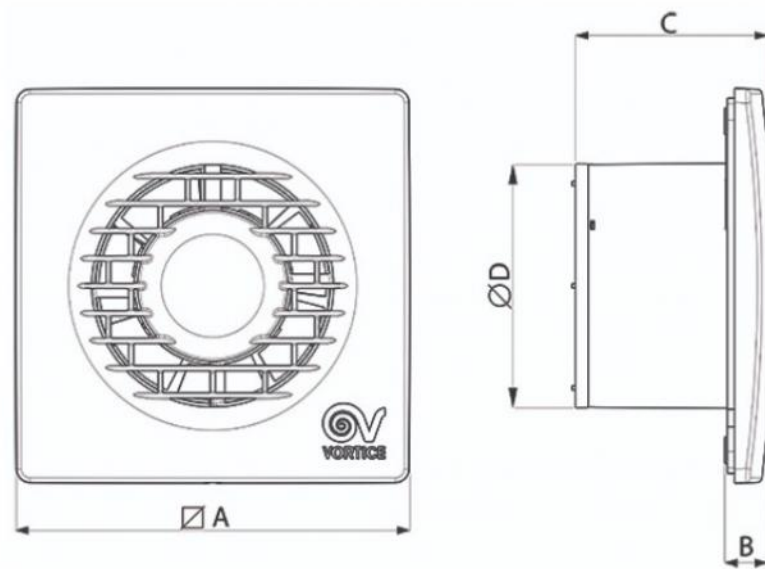
Approx. weight

0.51 kg

Max. Flow

85 m<sup>3</sup>/h

## DIMENSIONS



### Dimensions (mm)

A	159	B	17	C	77	D	98
---	-----	---	----	---	----	---	----

## ACCESSORIES