

VORTICE LINEO 250 QUIET ES (17175)

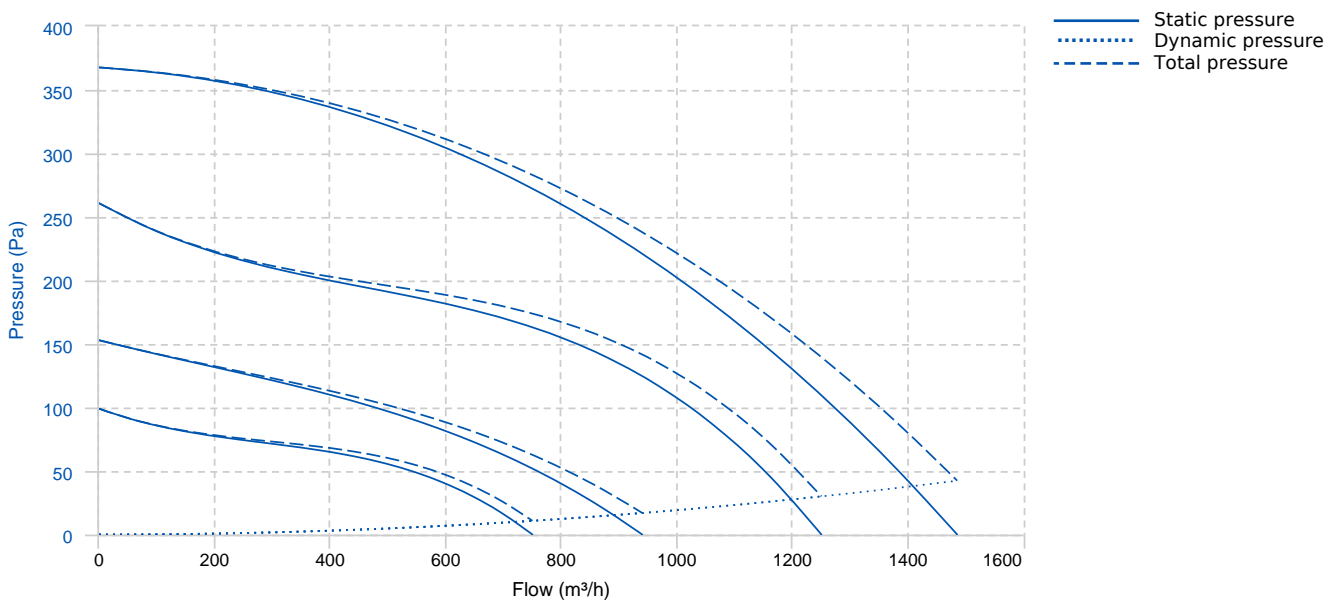
GENERAL DATA



Soundproofed, energy-saving helicocentrifugal duct fans

- Fire resistant plastic resin construction, class E2, according to ISO EN 11925-2:2010, in the areas facing the engine and electrical components.
- Casing incorporating a sound-absorbing coating, optimised to minimise noise emissions radiated into the environment and transmitted through the intake and discharge ducts.
- Nominal diameter 100 mm.
- EC Brushless motor, thermally protected, with shaft mounted on ball bearing supports, combined with a helico-centrifugal impeller.
- High degree of water resistance: IPX5 (if installed in the conduit).
- Equipped with a thermofuse over-temperature safety device.
- Speed adjustment via potentiometer (signal 0 - 10 V) or 2-speed switch (the two speeds can be set to installation in a predefined range).

PERFORMANCE CURVE

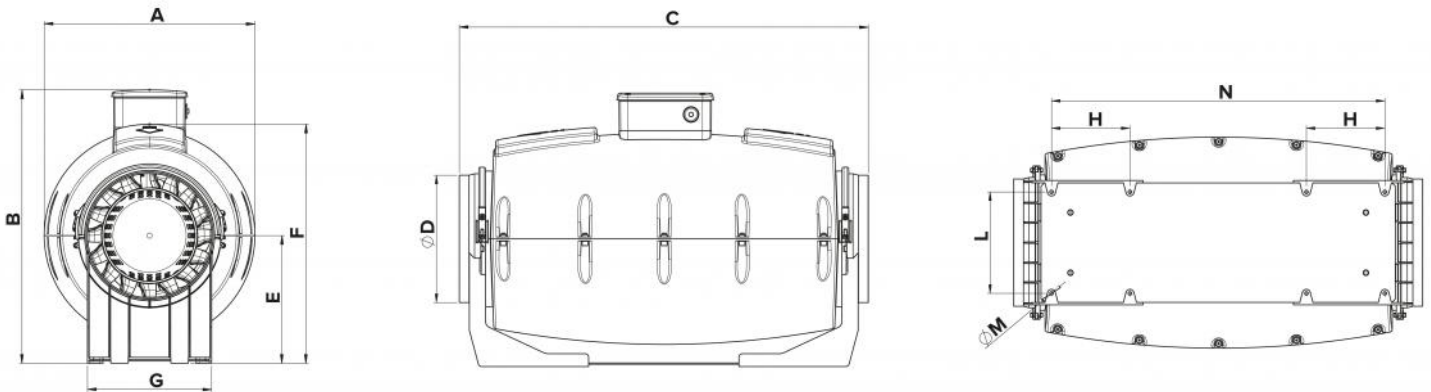


TECHNICAL DATA

Fan

Approx. weight	13.4 kg	Max. Flow	1530 m³/h
----------------	---------	-----------	-----------

DIMENSIONS



Dimensions (mm)

A	318	B	412	C	751.5	E	189.5	F	363.5
G	200	H	70	L	170	N	604.5	ØD	243
ØM	6.5								

WIRING DIAGRAM

FOR ELECTRICAL SCHEMES
PLEASE SEE THE USER MANUAL

ACCESSORIES

CONTROLLER
POT-IT (potentiometer)
REF: 12826

CONTROLLER
POT (potentiometer)
REF: 12828

SENSOR
C TEMP (temperature sensor)
REF: 12992

SENSOR
C SMOKE (smoke sensor)
REF: 12993

SENSOR
C HCS (humidity sensor)
REF: 12994

SENSOR
C PIR (passive infrared sensor)
REF: 12998

**SENSOR
C TIMER
REF: 12999**